

NMFIRE[®]
Protect life, love and history



Centrifugal Fire Pumps In-Line Type

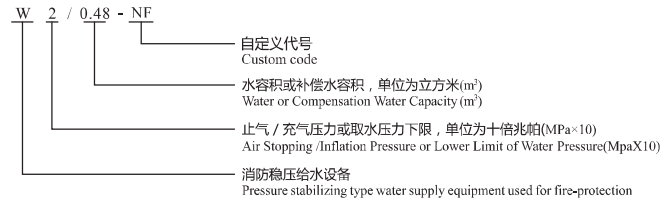
50~1500 GPM 40~198 PSI 13 Models (UL448/FM1371)

<https://modasa.com.pe/bombas-contra-incendio/>

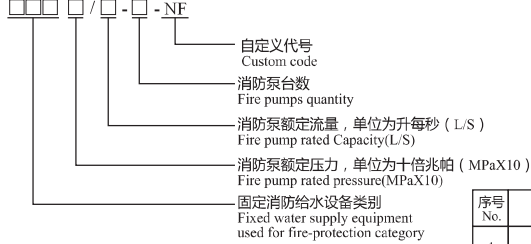
CDLF系列不锈钢立式多级泵
(CDLF)Vertical Multistage Centrifugal pump

稳压给水设备
Pressure stabilizing type water supply equipment used for fire-protection

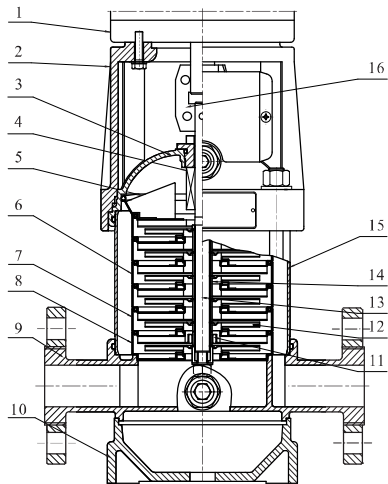
型号 Model



消防自动恒压给水设备
Constant pressure automatic water supply equipment used for fire-protection



结构图 Structure Design



序号 No.	名称 Name	材料 Material	AISI/ASTM
1	电机 Motor		
2	泵头 Casing	铸铁 Cast iron	ASTM25B
3	泵头衬里 Seal base	不锈钢 Stainless steel	AISI304
4	机械密封 Mechanical seal		
5	出水导叶 Top diffuser	不锈钢 Stainless steel	AISI304
5	导叶 Diffuser	不锈钢 Stainless steel	AISI304
7	支撑导叶 Support diffuser	不锈钢 Stainless steel	AISI304
8	导流器 Inducer	不锈钢 Stainless steel	AISI304
9	进出水段 Inlet and outlet chamber	不锈钢 Stainless steel	AISI304
10	底座 Base plate	铸铁 Cast iron	ASTM25B
11	轴承 Bearing	碳化钨 Tungsten carbide	
12	叶轮 Impeller	不锈钢 Stainless steel	AISI304
13	轴 Shaft	不锈钢 Stainless steel	
14	叶轮隔套 Impeller sleeve	不锈钢 Stainless steel	AISI304
15	耐压筒 Cylinder	不锈钢 Stainless steel	AISI304
16	联轴器 Coupling	碳钢 Carbon steel	

CDLF系列不锈钢立式多级泵
(CDLF)Vertical Multistage Centrifugal pump

CDLF立式多级离心泵消防稳压泵性能范围 (2950rpm)
Performance Range of CDLF(2950rpm)

